



## Product overview



## FPT Single-Hole Pass-through Metal Connector

### The main technical parameters:

- Model: **FPT 108**, **FPT 110**, **FPT 112**
- Wire cross section: **35/50/70mm<sup>2</sup>**; **70/95mm<sup>2</sup>**; **120mm<sup>2</sup>**
- Rated voltage: 1000V DC
- Temperature rating: -40°C~125°C (Including temperature rise)
- Protection level: IP68, IP6K9K
- Fire-proof level: UL94 V-0
- Shielding: 360° shielding
- Keys: Please see "MODEL NUMBER DESIGNATION" .



# MODEL NUMBER DESIGNATION

Series name	FPT	FPT	1	08	X	-	50	(-16)*
Core Number	1: Single core							
Product Specification	08 Series (08, 10, 12 series options)							
Key	08 & 10 series: X/Y/U/V/W/T/P; 12 series: X/Y/U/V/W							
Separator	-							
Adaptable Cable	08 series: 35/50/70mm <sup>2</sup> ; 10 series: 70/95mm <sup>2</sup> ; 12 series: 120mm <sup>2</sup>							

**\*Note:**

Standard cable diameter is:

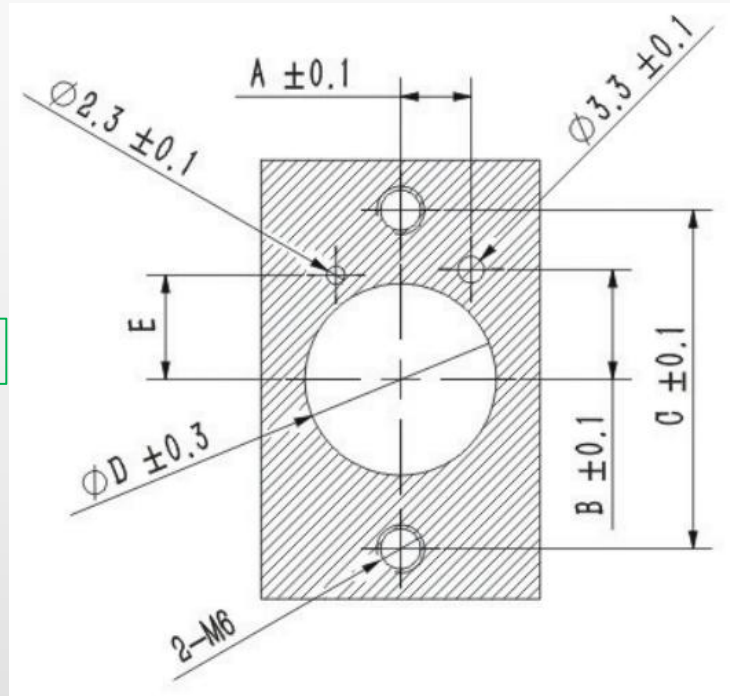
- 1) 35sqmm: 14.5mm;
- 2) 50sqmm: 17.0mm (-16:16mm);
- 3) 70sqmm: 19.5mm (-18:18.3mm);
- 4) 95sqmm: 22.6mm;
- 5) 120sqmm: 23.5mm

# ➔ MOUNTING PANEL SIZE

	A	B	C	D
FPT 108 Series	8.84	13.79	42.43	Φ24
FPT 110 Series	8.5	17	51	Φ28
FPT 112 Series	6.0	20	55	Φ30

Unit: (mm)

E key size and other dimensions refer to the drawing for details



FPT Installation Panel